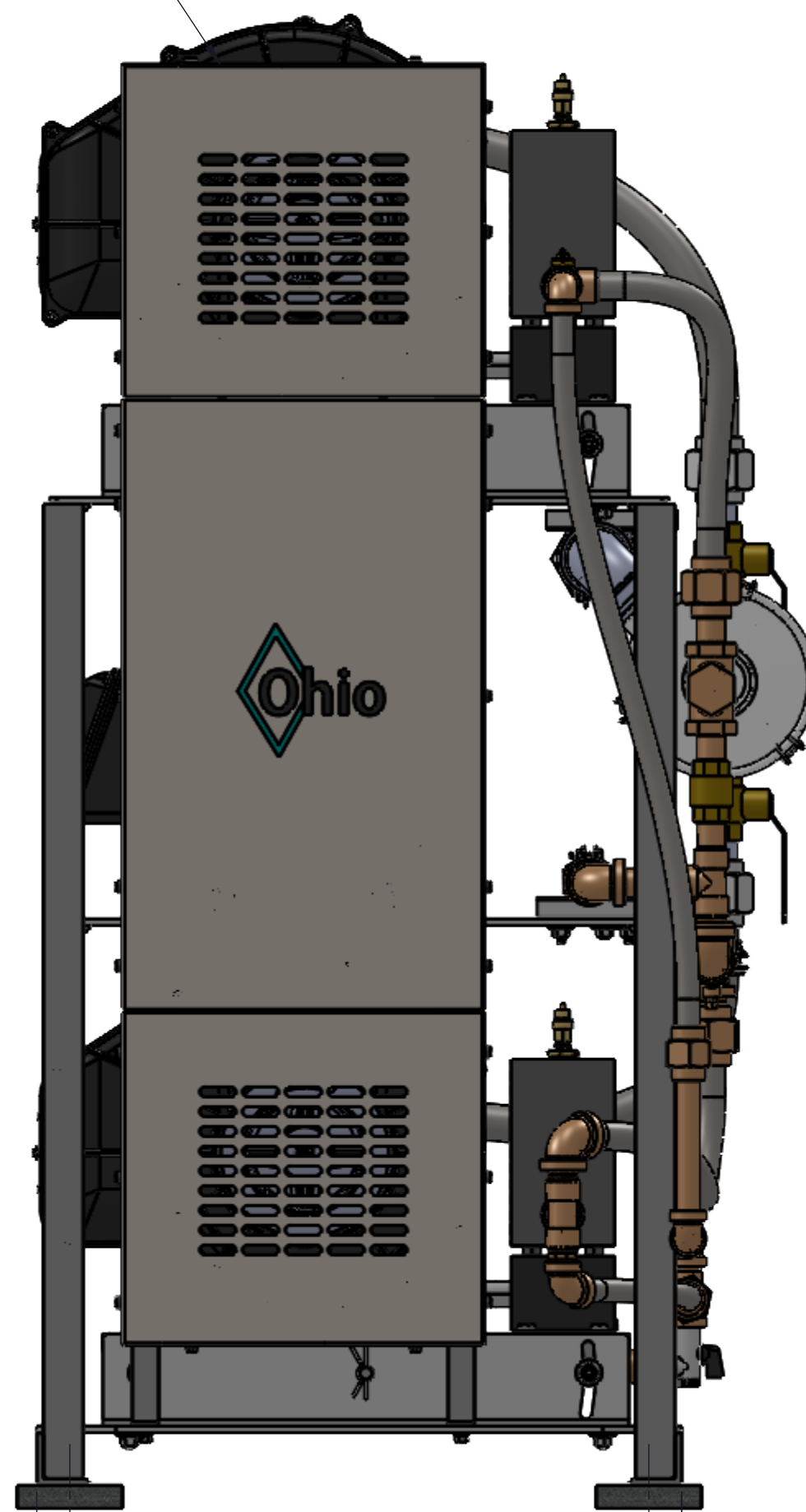
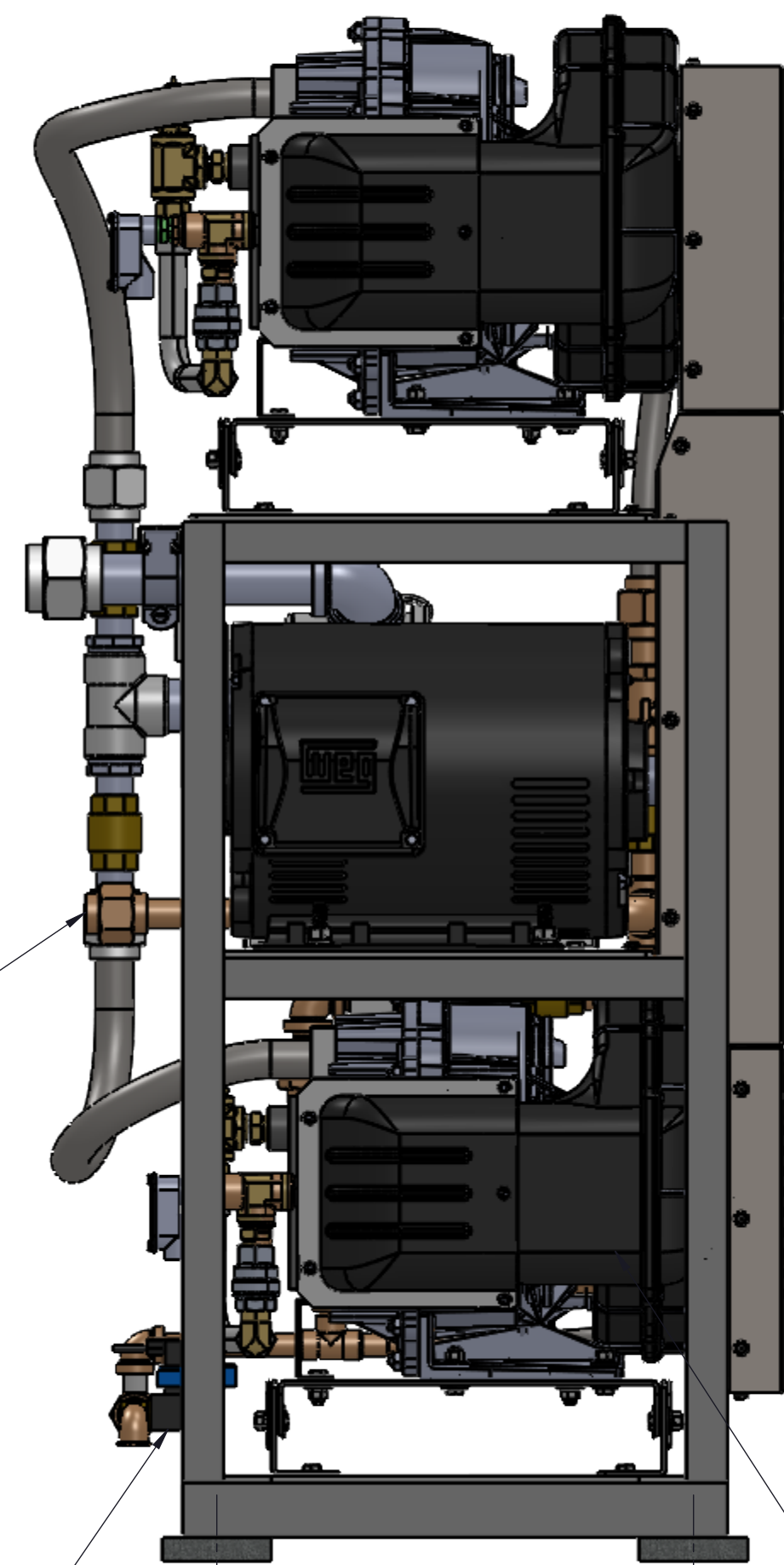


AIR-END SCROLL AIR COMPRESSOR

BELT GUARD



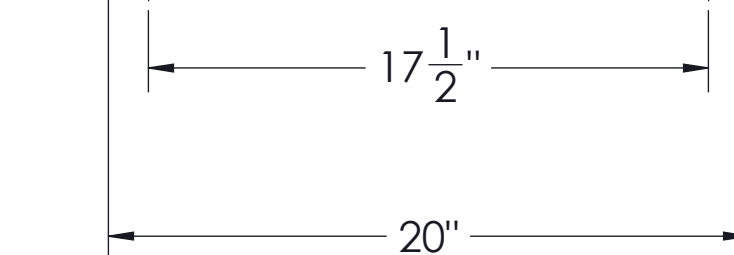
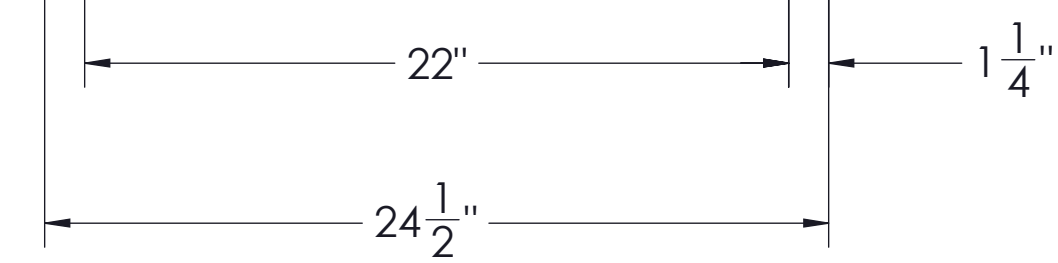
57" APPROX.

1-1/2" NPT AIR INLET CONNECTION

ELECTRIC MOTOR, 15 HP

ELECTRONIC DRAIN

AIR-END SCROLL AIR COMPRESSOR



APPROX. WT. 710 LB

01	16169	INITIAL RELEASE	08/27/2024	F.L.
REV	ECO NO.	DESCRIPTION OF CHANGE	DATE	BY
DO NOT SCALE DRAWING		DRAWN BY	DATE	
UNLESS OTHERWISE SPECIFIED, DIMENSIONS ARE IN INCHES AND TOLERANCES ARE:		F. LOPEZ	08/27/2024	
.X.X ± 0.050		CHECKED BY	DATE	
.X.XX ± 0.020		APPROVED BY	DATE	
.X.XXX ± 0.005				
THIRD ANGLE PERSPECTION		 OHIO MEDICAL always there for life COPYRIGHT & COPYRIGHT D BY OHIO MEDICAL LLC		
MATERIAL	N/A	ITEM DESCRIPTION		
FINISH	N/A	DUAL-SCROLL AIR COMPRESSOR MODULE, HIGH PRESSURE 15HP MOTOR 208-230/380-460V		
FILE NAME	100-0268-HP-S.SLDDRW	DWG SIZE	DRAWING NUMBER	REV
		B	100-0268-HP-S	01
			SCALE: 1:12	SHEET 1 OF 1

CONFIDENTIAL: THIS DRAWING AND THE DESIGN REPRESENTED THEREIN ARE THE PROPERTY OF OHIO MEDICAL AND HAS BEEN ISSUED WITH THE UNDERSTANDING THAT NEITHER DRAWING NOR THE INFORMATION THEREIN IS TO BE USED OR DISCLOSED, EITHER IN WHOLE OR PART, EXCEPT AS SPECIFICALLY AUTHORIZED BY OHIO MEDICAL AND SHALL BE RETURNED UPON REQUEST.