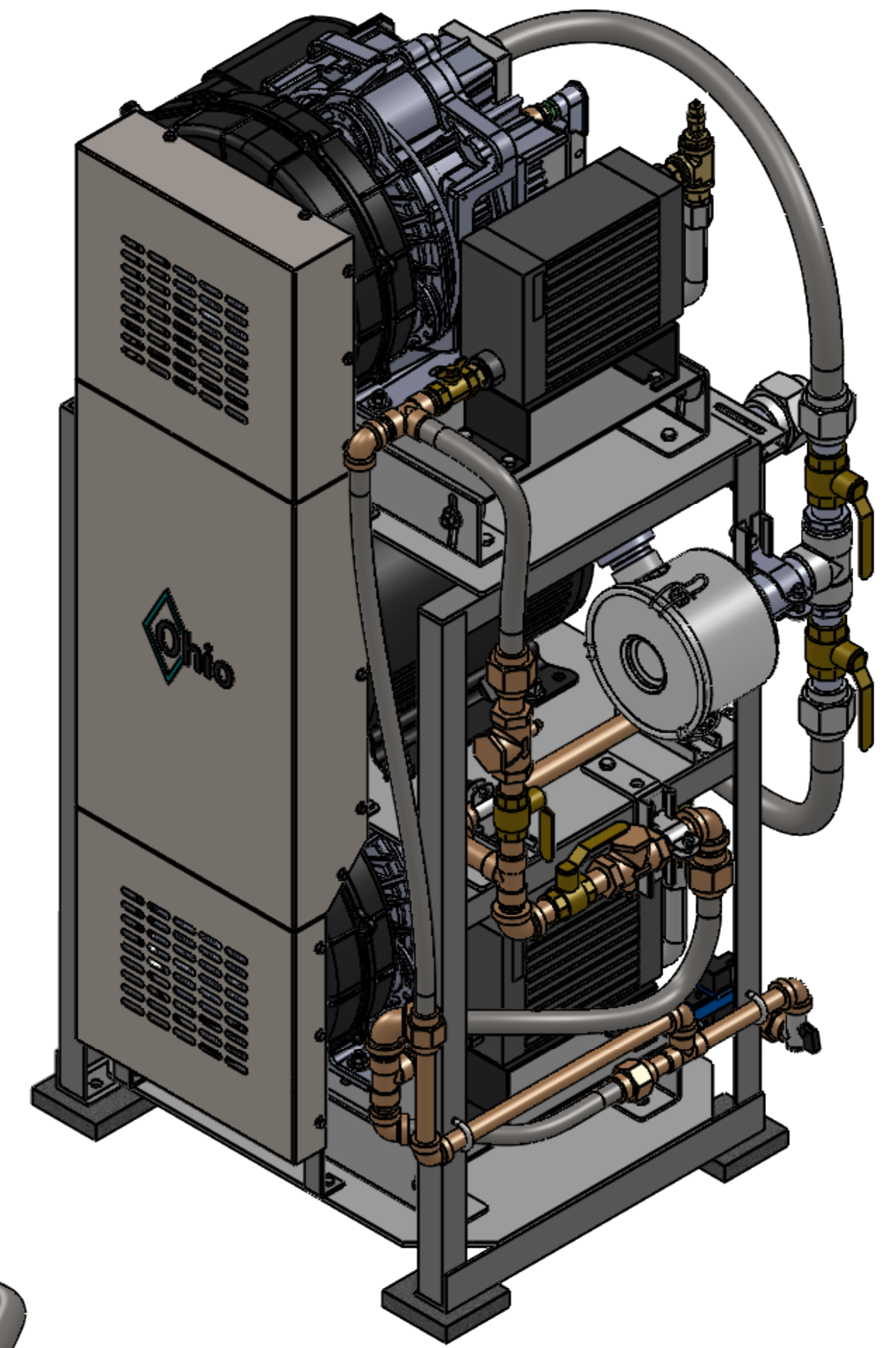
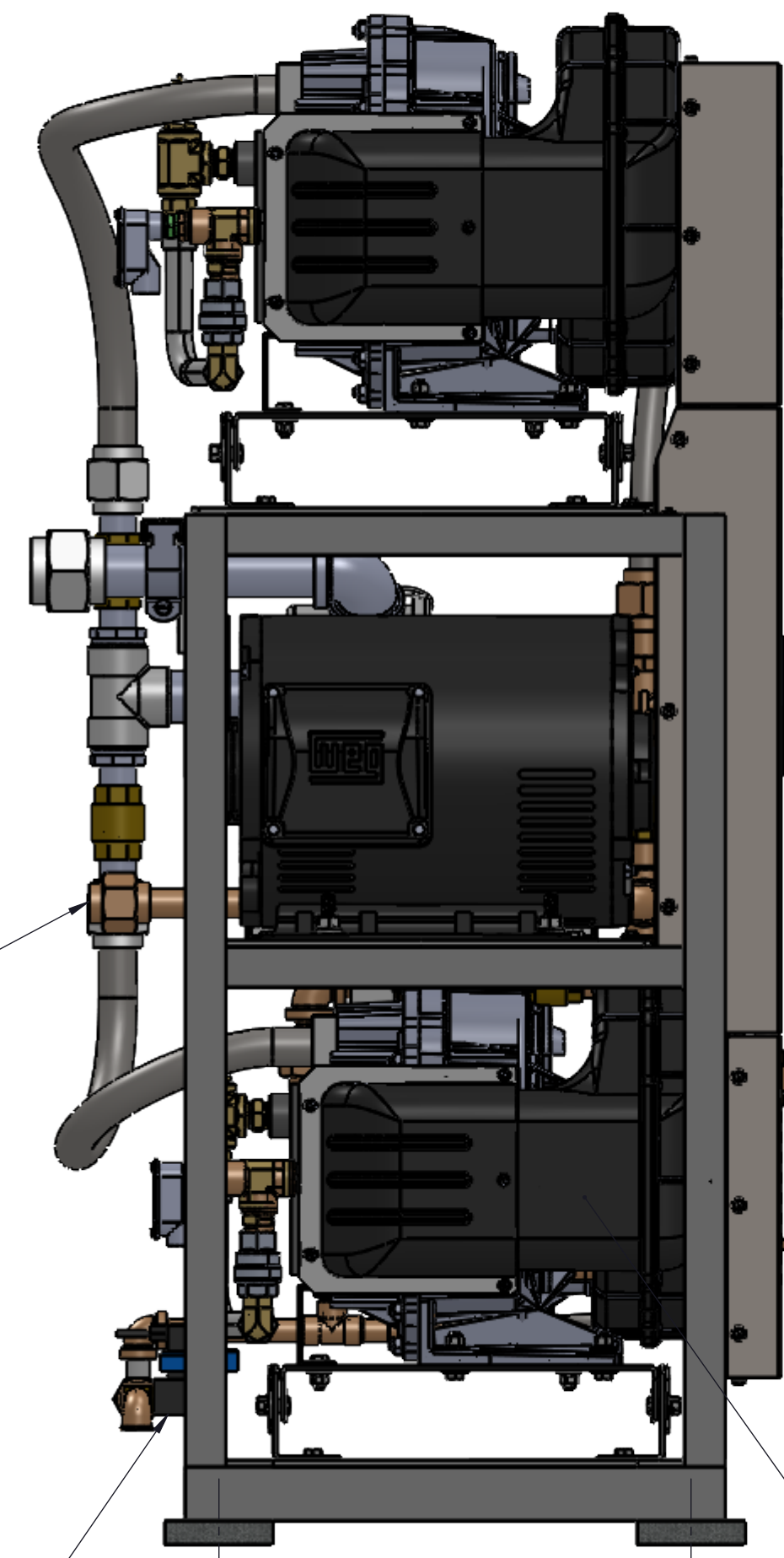


AIR INLET FILTER, 1-1/2" NPT



BELT GUARD

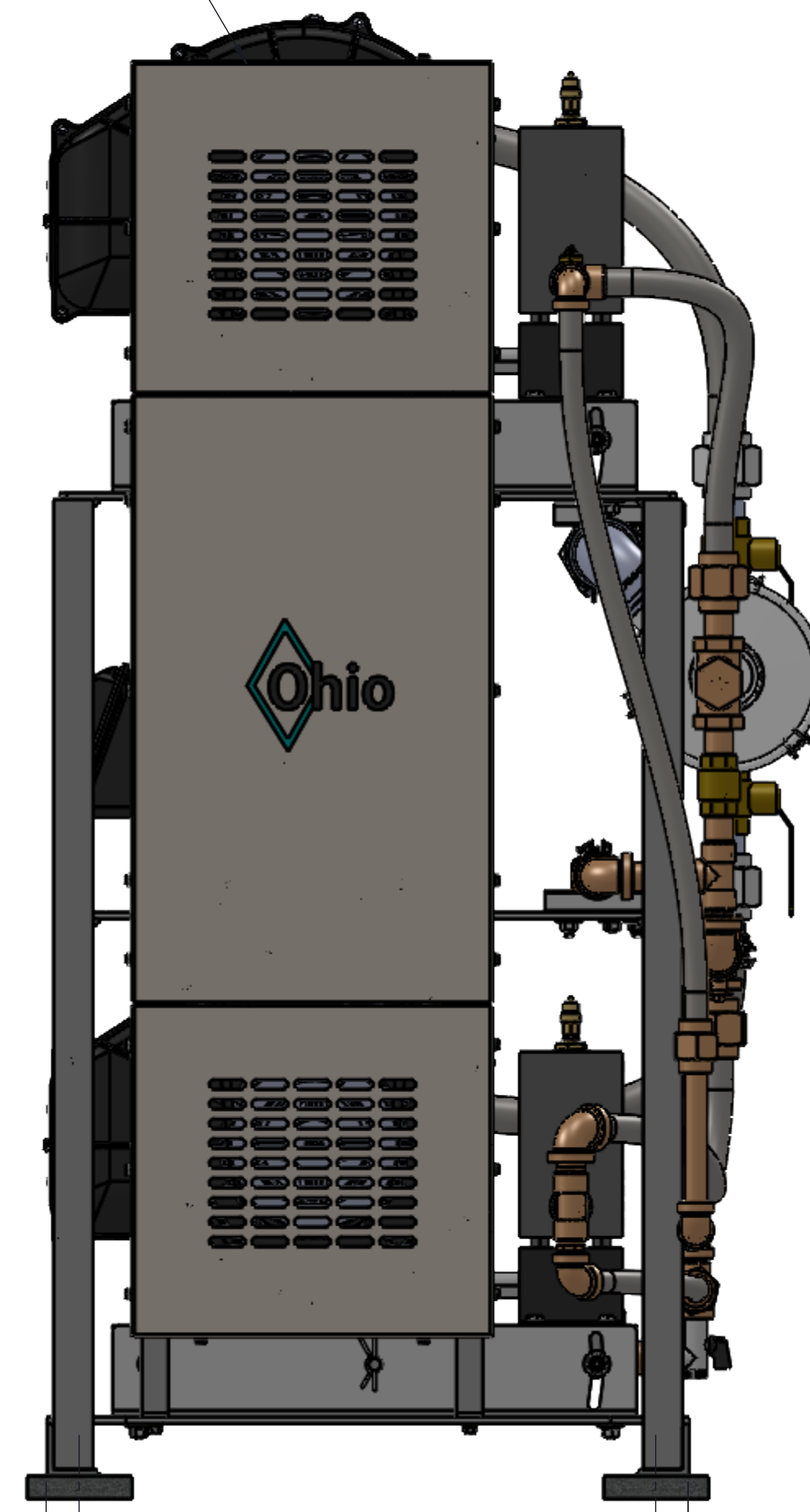
AIR-END SCROLL AIR COMPRESSOR



3/4" NP AIR DISCHARGE CONNECTION

ELECTRONIC DRAIN

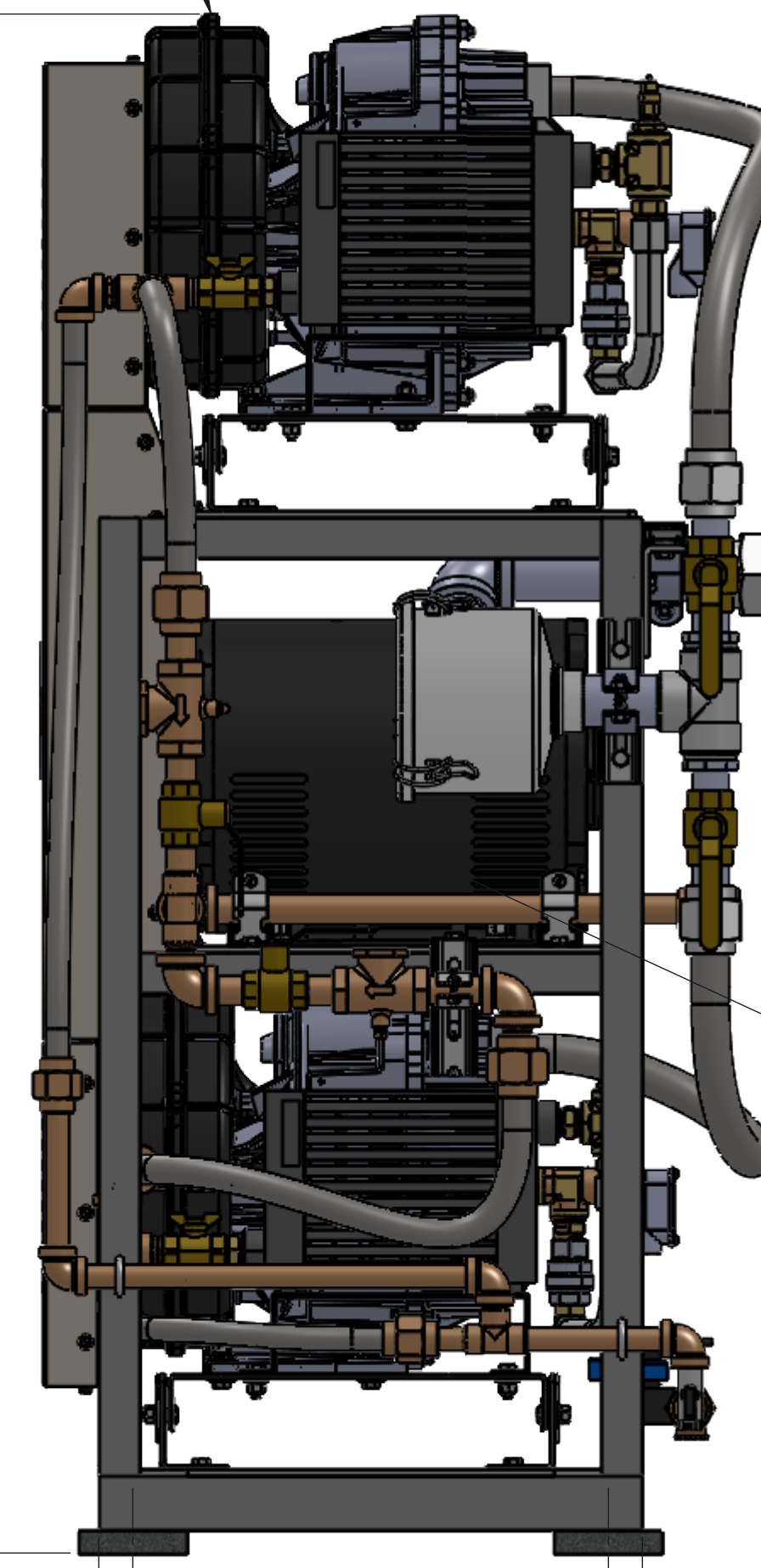
AIR-END SCROLL AIR COMPRESSOR



22" 1 1/4"

24 1/2"

57" APPROX.



1-1/2" NPT AIR INLET CONNECTION

ELECTRIC MOTOR, 15 HP

17 1/2"

20"

APPROX. WT. 710 LB

| | | | | |
|--|---------|---|------------|--------|
| 01 | 16169 | INITIAL RELEASE | 08/27/2024 | F.L. |
| REV | ECO NO. | DESCRIPTION OF CHANGE | DATE | BY |
| DO NOT SCALE DRAWING | | | | |
| UNLESS OTHERWISE SPECIFIED, DIMENSIONS ARE IN INCHES AND TOLERANCES ARE: | | | | |
| .XX ± 0.050 | | | | |
| .XXX ± 0.020 | | | | |
| XXXX ± 0.005 | | | | |
| THIRD ANGLE PREDICTION | | | | |
| MATERIAL | | ITEMS PROVIDED | | |
| N/A | | DUAL-SCROLL AIR COMPRESSOR MODULE, LOW PRESSURE 15HP MOTOR 208-230/380-460V | | |
| FINISH | | DWG SIZE | | REV |
| N/A | | B | | 01 |
| FILE NAME | | DRAWING NUMBER | | SHEET |
| 100-0268-S.SLDDRW | | 100-0268-S | | 1 OF 1 |
| SCALE: 1:12 | | SHEET 1 OF 1 | | |

B 100-0268-S 01

CONFIDENTIAL: THIS DRAWING AND THE DESIGN REPRESENTED THEREIN ARE THE PROPERTY OF OHIO MEDICAL AND HAS BEEN ISSUED WITH THE UNDERSTANDING THAT NEITHER DRAWING NOR THE INFORMATION THEREIN IS TO BE USED OR DISCLOSED, EITHER IN WHOLE OR PART, EXCEPT AS SPECIFICALLY AUTHORIZED BY OHIO MEDICAL AND SHALL BE RETURNED UPON REQUEST.