

# Compact Master Alarm

## Features

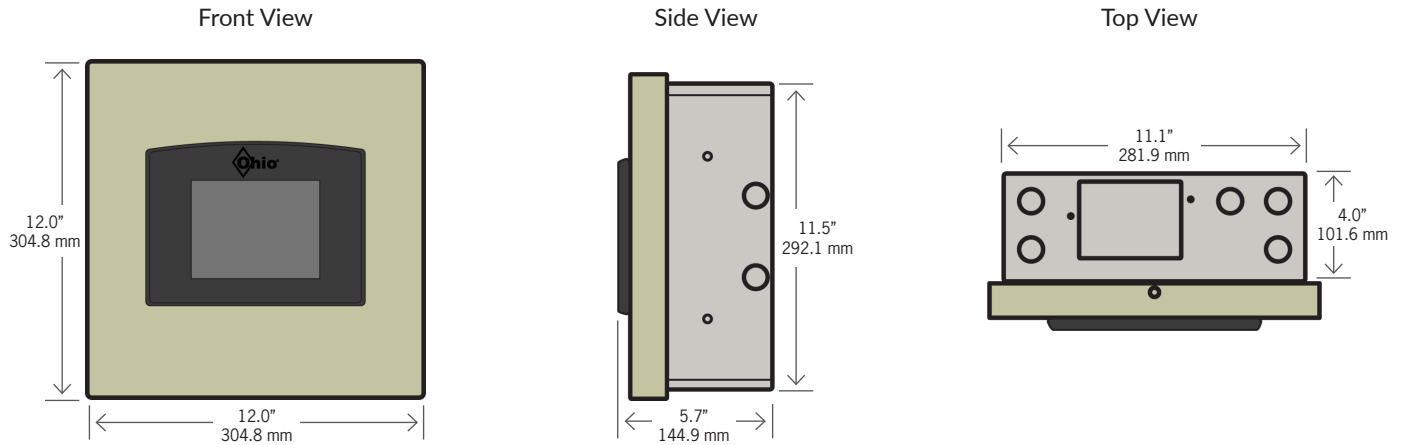
- 5.7" Liquid Crystal Display (LCD)
- Supply Power: 100V-240V AC
- Circuit breaker protected
- Alarm Point Inputs: up to 30 points
- Remote alarm communications:  
Modbus (standard); BACnet (optional); Ethernet (optional)
- NFPA® 99 Compliant
- Manufactured in an ISO 9001 and 13485 Environment
- Enclosure materials constructed of heavy duty steel to protect internal components from adverse conditions and electrical interference
- Alarm conditions shall be identified via audible alarms and visual indicators
- Audible Alarm-Point Silence Button provided to silence the alarm (field adjustable duration)
- Audible Alarm Horn is adjustable
- Audible Alarm is to remain in an alarm state until the condition that initiated the alarm condition is corrected
- Visual Alarm-Point Indicators shall illuminate and/or flash even if the Audible Alarm is silenced and, to remain in an alarm state until the condition initiating the alarm is corrected

## Panel Settings

- Completely field adjustable and password protected
- ALL settings accomplished via front screen panel
- Selectable English or Spanish Instructions
- Password Protected (Customizable)
- Field Adjustable 0-30pt alarm set-up
- Adjustable N.O./N.C. input selection with Set-All feature
- All Alarm Points in an alarm condition are viewed in priority scrolling
- Pre-configured or customizable Alarm Point names
- Auto scroll with manual scroll options for non-alarm condition viewing
- Maintenance Mode for set-up and alarm point maintenance



## Product Dimensions



## Ordering Information

Available with Modbus, BACnet or Ethernet. All units come with a 5.7" full color LCD touchscreen and can be set up for one to thirty unique alarm points inputs.

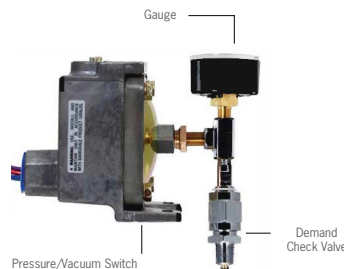
Part Number	Description*
263859	Compact Master Alarm HMI 30 Point
263859-B	Compact Master Alarm HMI 30 Point with BACnet
263859-E	Compact Master Alarm HMI 30 Point with Ethernet

\* Modbus included with every unit.

## Pressure/Vacuum Pipeaway Assemblies with Switches

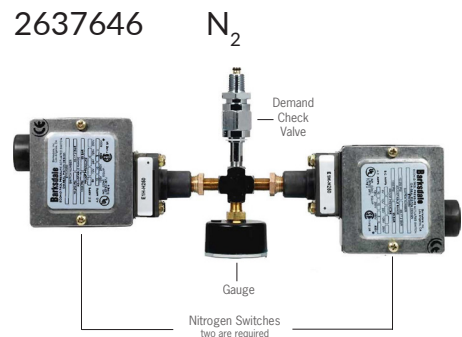
### Part Numbers

- 263741 O<sub>2</sub>
- 263742 Vac
- 263743 Air
- 263744 N<sub>2</sub>O
- 263745 WAGD
- 263747 CO<sub>2</sub>



### Part Number

2637646



© 2023 Ohio Medical LLC. This document contains information that is proprietary and confidential to Ohio Medical LLC. Use of this information is under license from Ohio Medical LLC. Any use other than that authorized by Ohio Medical LLC is prohibited. Ohio Medical, the Ohio Medical logo, Amvex, and the Amvex logo are registered trademarks of Ohio Medical LLC.