

# AS1500-B2-V240-DD Scroll Air System

System is NFPA compliant and has modular construction and interconnecting piping.

## PUMP MODULE

The belt driven oil-less scroll compressors deliver pressures up to 115 psi. Each scroll module includes two compressors driven by a common motor; drive belts with belt guard; inlet filter; isolation valve; aftercooler; temperature switch and relief valve.

## AIR TREATMENT MODULE

The system's air treatment module features dual desiccant dryers configured for energy savings. They purge only when needed per the dew point setting. The dew point transducer and CO transducer are integrated with the electrical panel. The module also contains prefilters, after filters, and activated carbon filters. Final line pressure regulators with gauges and relief valves are also part of the air treatment module.

## AIR RECEIVER

The receiver is constructed to ASME standards and is epoxy lined for corrosion resistance. A source isolation valve and 3 valve bypasses are provided with the receiver module. A pressure gauge and relief valve are included, along with a sight window and electric auto drain. Mounting pads and flexible connectors are provided.

## CONTROL PANEL

The UL listed electrical control panel features a high-definition color touch screen that can be set up externally without the use of toggle switches. The panel displays multiple conditions, including compressor running status, elapsed hours, pressure level, and audio/visual alarms.

Standard features include lag alarm, automatic compressor alternation, adjustable minimum run timer, adjustable pressure settings, adjustable screen brightness, alarm history registry, and data logging. The panel has standard dry contacts and Modbus interface with building management systems. Ethernet and BACnet are available as options. The panel's maintenance menu includes service items and maintenance warnings, and it is programmed for both English and Spanish languages.

<b>Configuration</b>	Duplex Base Mount
<b>System Capacity*</b>	55.4 SCFM @ 50 psi 60 Hz. 55.4 SCFM @ 50 psi 50 Hz.
<b>Horsepower (Each Pump)</b>	15 HP
<b>Horsepower (Total System)</b>	30 HP
<b>Available Voltage</b>	208/230/460V 3 PH 60 Hz. 380V 3 PH 50 Hz. Contact Factory for other voltages
<b>Full Load Amps 3 ph.</b>	208 Volts: 96.6 230 Volts: 87.8 380 Volts: 51.2 460 Volts: 44
<b>Tank Size</b>	240 gallon vertical
<b>Key Options</b>	Bacterial filters for dryer/filter skid Can be configured for lab use without lag alarm Expandable for additional compressors

*Scan here for compressor specifications and industry-leading parts support.*



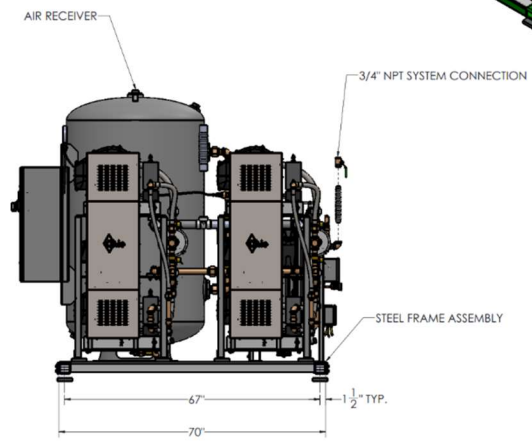
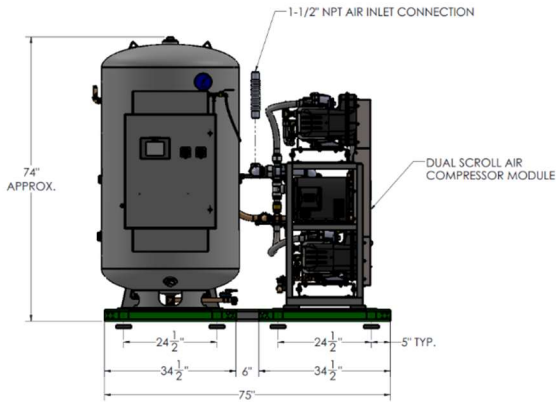
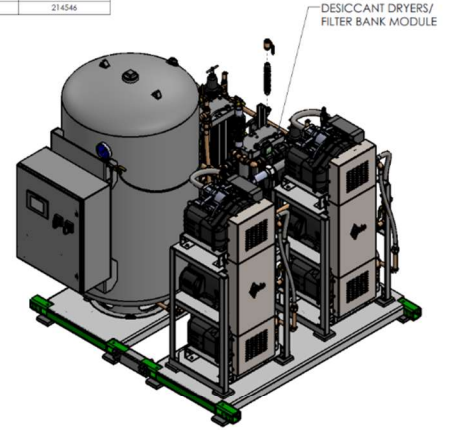
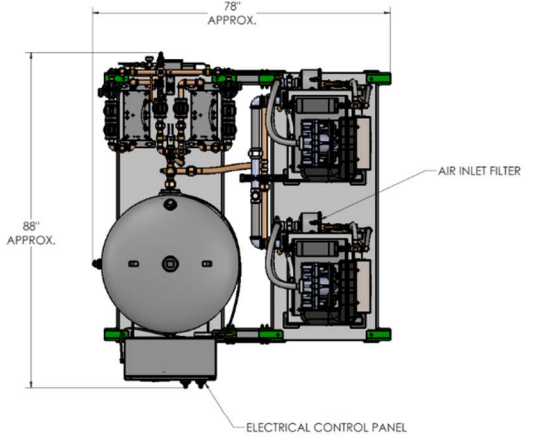
\*System capacity is stated with one pump in reserve per NFPA. Capacity based on operation at sea level. For higher altitude, contact factory for adjusted capacity.

SYSTEM MODEL NO.	PART NO.	HP EACH	SCROLL AIR COMPRESSOR @ 50 PSI/G. EACH	SCROLL AIR COMPRESSOR @ 100 PSI/G. EACH	DESIGN CAPACITY @ 50 PSI/G. EACH	RECEIVER SIZE (GALLONS)	PUMP DISCHARGE NPT	ESTIMATED SYSTEM WEIGHT (LB)
AS1500-B2-DD	AS1500-460-B2-V240-DD	15	55.4	54.8	55.4	240	3/4"	3000

SPACE ALLOWANCE FOR MAINTENANCE = 3 FT ON ALL SIDES. MORE SPACE REQUIRED FOR OPENING OF LARGER PANEL DOOR.

VOLTAGE	SYSTEM P/N	PUMP MODULE P/N	TRP MODULE P/N
208 40-3	AS1500-208-B2-V240-DD	100-0268	214539
230 40-3	AS1500-230-B2-V240-DD	100-0268	214539
380 50-3	AS1500-380-B2-V240-DD	100-0268	214546

SYSTEM LISTED ARE 460V. IF ANOTHER VOLTAGE IS REQUIRED, USE THE FOLLOWING PART NUMBERS.



Q1	N/A	INITIAL RELEASE	06/16/2024	J.L.
Q2	N/A	REVISIONS		
REV	DATE	DESCRIPTION	BY	APP
01	06/16/2024	INITIAL RELEASE	J. LOPEZ	
02	06/16/2024	REVISIONS		
03	06/16/2024	REVISIONS		
04	06/16/2024	REVISIONS		
05	06/16/2024	REVISIONS		
06	06/16/2024	REVISIONS		
07	06/16/2024	REVISIONS		
08	06/16/2024	REVISIONS		
09	06/16/2024	REVISIONS		
10	06/16/2024	REVISIONS		
11	06/16/2024	REVISIONS		
12	06/16/2024	REVISIONS		
13	06/16/2024	REVISIONS		
14	06/16/2024	REVISIONS		
15	06/16/2024	REVISIONS		
16	06/16/2024	REVISIONS		
17	06/16/2024	REVISIONS		
18	06/16/2024	REVISIONS		
19	06/16/2024	REVISIONS		
20	06/16/2024	REVISIONS		
21	06/16/2024	REVISIONS		
22	06/16/2024	REVISIONS		
23	06/16/2024	REVISIONS		
24	06/16/2024	REVISIONS		
25	06/16/2024	REVISIONS		
26	06/16/2024	REVISIONS		
27	06/16/2024	REVISIONS		
28	06/16/2024	REVISIONS		
29	06/16/2024	REVISIONS		
30	06/16/2024	REVISIONS		
31	06/16/2024	REVISIONS		
32	06/16/2024	REVISIONS		
33	06/16/2024	REVISIONS		
34	06/16/2024	REVISIONS		
35	06/16/2024	REVISIONS		
36	06/16/2024	REVISIONS		
37	06/16/2024	REVISIONS		
38	06/16/2024	REVISIONS		
39	06/16/2024	REVISIONS		
40	06/16/2024	REVISIONS		
41	06/16/2024	REVISIONS		
42	06/16/2024	REVISIONS		
43	06/16/2024	REVISIONS		
44	06/16/2024	REVISIONS		
45	06/16/2024	REVISIONS		
46	06/16/2024	REVISIONS		
47	06/16/2024	REVISIONS		
48	06/16/2024	REVISIONS		
49	06/16/2024	REVISIONS		
50	06/16/2024	REVISIONS		
51	06/16/2024	REVISIONS		
52	06/16/2024	REVISIONS		
53	06/16/2024	REVISIONS		
54	06/16/2024	REVISIONS		
55	06/16/2024	REVISIONS		
56	06/16/2024	REVISIONS		
57	06/16/2024	REVISIONS		
58	06/16/2024	REVISIONS		
59	06/16/2024	REVISIONS		
60	06/16/2024	REVISIONS		
61	06/16/2024	REVISIONS		
62	06/16/2024	REVISIONS		
63	06/16/2024	REVISIONS		
64	06/16/2024	REVISIONS		
65	06/16/2024	REVISIONS		
66	06/16/2024	REVISIONS		
67	06/16/2024	REVISIONS		
68	06/16/2024	REVISIONS		
69	06/16/2024	REVISIONS		
70	06/16/2024	REVISIONS		
71	06/16/2024	REVISIONS		
72	06/16/2024	REVISIONS		
73	06/16/2024	REVISIONS		
74	06/16/2024	REVISIONS		
75	06/16/2024	REVISIONS		
76	06/16/2024	REVISIONS		
77	06/16/2024	REVISIONS		
78	06/16/2024	REVISIONS		
79	06/16/2024	REVISIONS		
80	06/16/2024	REVISIONS		
81	06/16/2024	REVISIONS		
82	06/16/2024	REVISIONS		
83	06/16/2024	REVISIONS		
84	06/16/2024	REVISIONS		
85	06/16/2024	REVISIONS		
86	06/16/2024	REVISIONS		
87	06/16/2024	REVISIONS		
88	06/16/2024	REVISIONS		
89	06/16/2024	REVISIONS		
90	06/16/2024	REVISIONS		
91	06/16/2024	REVISIONS		
92	06/16/2024	REVISIONS		
93	06/16/2024	REVISIONS		
94	06/16/2024	REVISIONS		
95	06/16/2024	REVISIONS		
96	06/16/2024	REVISIONS		
97	06/16/2024	REVISIONS		
98	06/16/2024	REVISIONS		
99	06/16/2024	REVISIONS		
100	06/16/2024	REVISIONS		