

# AS2000-B2-V200-DD Scroll Air System

System is NFPA compliant and has modular construction and interconnecting piping.

## PUMP MODULE

The belt driven oil-less scroll compressors deliver pressures up to 115 psi. Each scroll module includes two compressors driven by a common motor; drive belts with belt guard; inlet filter; isolation valve; aftercooler; temperature switch and relief valve.

## AIR TREATMENT MODULE

The system's air treatment module features dual desiccant dryers configured for energy savings. They purge only when needed per the dew point setting. The dew point transducer and CO transducer are integrated with the electrical panel. The module also contains prefilters, after filters, and activated carbon filters. Final line pressure regulators with gauges and relief valves are also part of the air treatment module.

## AIR RECEIVER

The receiver is constructed to ASME standards and is epoxy lined for corrosion resistance. A source isolation valve and 3 valve bypasses are provided with the receiver module. A pressure gauge and relief valve are included, along with a sight window and electric auto drain. Mounting pads and flexible connectors are provided.

## CONTROL PANEL

The UL listed electrical control panel features a high-definition color touch screen that can be set up externally without the use of toggle switches. The panel displays multiple conditions, including compressor running status, elapsed hours, pressure level, and audio/visual alarms.

Standard features include lag alarm, automatic compressor alternation, adjustable minimum run timer, adjustable pressure settings, adjustable screen brightness, alarm history registry, and data logging. The panel has standard dry contacts and Modbus interface with building management systems. Ethernet and BACnet are available as options. The panel's maintenance menu includes service items and maintenance warnings, and it is programmed for both English and Spanish languages.

<b>Configuration</b>	Duplex Base Mount
<b>System Capacity*</b>	68.6 SCFM @ 50 psi 60 Hz. 68.6 SCFM @ 50 psi 50 Hz.
<b>Horsepower (Each Pump)</b>	20 HP
<b>Horsepower (Total System)</b>	40 HP
<b>Available Voltage</b>	208/230/460V 3 PH 60 Hz. 380V 3 PH 50 Hz. Contact Factory for other voltages
<b>Full Load Amps 3 ph.</b>	208 Volts: 123 230 Volts: 111.8 380 Volts: 67.2 460 Volts: 56
<b>Tank Size</b>	200 gallon vertical
<b>Key Options</b>	Bacterial filters for dryer/filter skid Can be configured for lab use without lag alarm Expandable for additional compressors

Scan here for compressor specifications and industry-leading parts support.



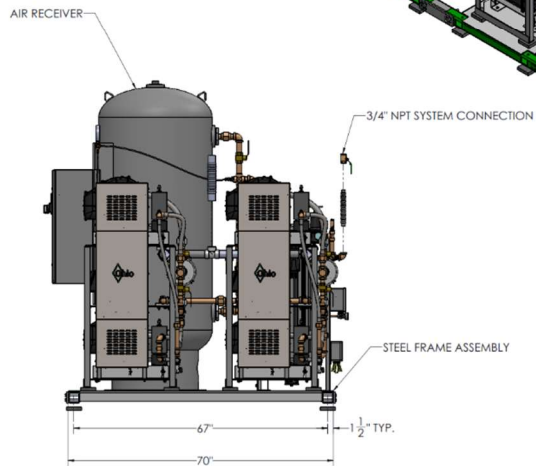
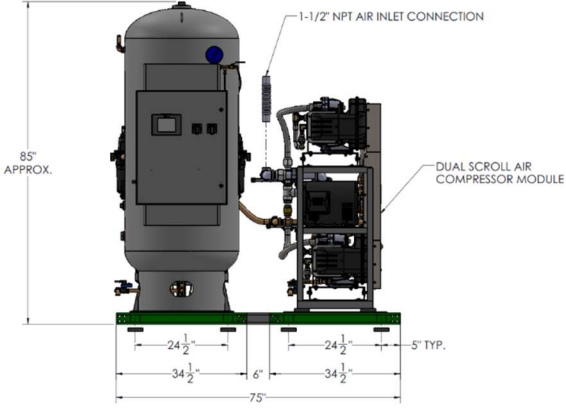
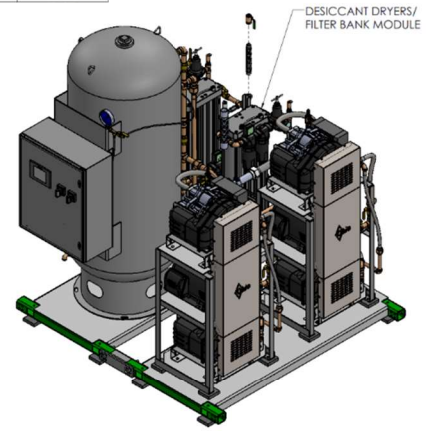
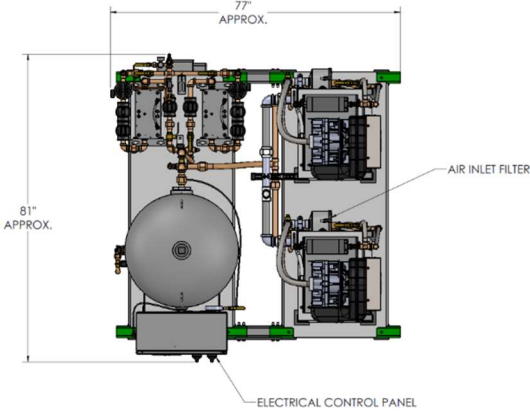
\*System capacity is stated with one pump in reserve per NFPA. Capacity based on operation at sea level. For higher altitude, contact factory for adjusted capacity.

SYSTEM MODEL NO.	PART NO.	HP EACH	SCROLL COMPRESSOR @ 50 PSIG EACH	SCROLL COMPRESSOR @ 100 PSIG EACH	DESIGN CAPACITY @ 30 PSIG EACH	RECEIVER SIZE (GALLONS)	PUMP DISCHARGE NPT	ESTIMATED SYSTEM WEIGHT (LB)
AS2000-82-DD	AS2000-460-82-V200-DD	20	68.6	47.6	68.6	200	3/4"	3000

SPACE ALLOWANCE FOR MAINTENANCE = 3 FT ON ALL SIDES. MORE SPACE REQUIRED FOR OPENING OF LARGER PANEL DOOR.

TABLE 1  
SYSTEM LISTED ARE 460V. IF ANOTHER VOLTAGE IS REQUIRED, USE THE FOLLOWING PART NUMBERS.

VOLTAGE	SYSTEM P/N	PUMP MODULE P/N	TRP-MODULE P/N
208-60-3	AS2000-208-82-V200-DD	100-026P	21453P
230-60-3	AS2000-230-82-V200-DD	100-026P	21453P
380-50-3	AS2000-380-82-V200-DD	100-026P	21454P



Q3	N/A	INITIAL RELEASE	DATE	REV.
REV.	DATE	DESCRIPTION	BY	CHK
1	07/16/2024	REVISED TO ADD 3/4" NPT SYSTEM CONNECTION	AS	AS
2	07/16/2024	REVISED TO ADD 1-1/2" NPT AIR INLET CONNECTION	AS	AS
3	07/16/2024	REVISED TO ADD 1-1/2" NPT AIR INLET CONNECTION	AS	AS
4	07/16/2024	REVISED TO ADD 1-1/2" NPT AIR INLET CONNECTION	AS	AS
5	07/16/2024	REVISED TO ADD 1-1/2" NPT AIR INLET CONNECTION	AS	AS
6	07/16/2024	REVISED TO ADD 1-1/2" NPT AIR INLET CONNECTION	AS	AS
7	07/16/2024	REVISED TO ADD 1-1/2" NPT AIR INLET CONNECTION	AS	AS
8	07/16/2024	REVISED TO ADD 1-1/2" NPT AIR INLET CONNECTION	AS	AS
9	07/16/2024	REVISED TO ADD 1-1/2" NPT AIR INLET CONNECTION	AS	AS
10	07/16/2024	REVISED TO ADD 1-1/2" NPT AIR INLET CONNECTION	AS	AS
11	07/16/2024	REVISED TO ADD 1-1/2" NPT AIR INLET CONNECTION	AS	AS
12	07/16/2024	REVISED TO ADD 1-1/2" NPT AIR INLET CONNECTION	AS	AS
13	07/16/2024	REVISED TO ADD 1-1/2" NPT AIR INLET CONNECTION	AS	AS
14	07/16/2024	REVISED TO ADD 1-1/2" NPT AIR INLET CONNECTION	AS	AS
15	07/16/2024	REVISED TO ADD 1-1/2" NPT AIR INLET CONNECTION	AS	AS
16	07/16/2024	REVISED TO ADD 1-1/2" NPT AIR INLET CONNECTION	AS	AS
17	07/16/2024	REVISED TO ADD 1-1/2" NPT AIR INLET CONNECTION	AS	AS
18	07/16/2024	REVISED TO ADD 1-1/2" NPT AIR INLET CONNECTION	AS	AS
19	07/16/2024	REVISED TO ADD 1-1/2" NPT AIR INLET CONNECTION	AS	AS
20	07/16/2024	REVISED TO ADD 1-1/2" NPT AIR INLET CONNECTION	AS	AS
21	07/16/2024	REVISED TO ADD 1-1/2" NPT AIR INLET CONNECTION	AS	AS
22	07/16/2024	REVISED TO ADD 1-1/2" NPT AIR INLET CONNECTION	AS	AS
23	07/16/2024	REVISED TO ADD 1-1/2" NPT AIR INLET CONNECTION	AS	AS
24	07/16/2024	REVISED TO ADD 1-1/2" NPT AIR INLET CONNECTION	AS	AS
25	07/16/2024	REVISED TO ADD 1-1/2" NPT AIR INLET CONNECTION	AS	AS
26	07/16/2024	REVISED TO ADD 1-1/2" NPT AIR INLET CONNECTION	AS	AS
27	07/16/2024	REVISED TO ADD 1-1/2" NPT AIR INLET CONNECTION	AS	AS
28	07/16/2024	REVISED TO ADD 1-1/2" NPT AIR INLET CONNECTION	AS	AS
29	07/16/2024	REVISED TO ADD 1-1/2" NPT AIR INLET CONNECTION	AS	AS
30	07/16/2024	REVISED TO ADD 1-1/2" NPT AIR INLET CONNECTION	AS	AS
31	07/16/2024	REVISED TO ADD 1-1/2" NPT AIR INLET CONNECTION	AS	AS
32	07/16/2024	REVISED TO ADD 1-1/2" NPT AIR INLET CONNECTION	AS	AS
33	07/16/2024	REVISED TO ADD 1-1/2" NPT AIR INLET CONNECTION	AS	AS
34	07/16/2024	REVISED TO ADD 1-1/2" NPT AIR INLET CONNECTION	AS	AS
35	07/16/2024	REVISED TO ADD 1-1/2" NPT AIR INLET CONNECTION	AS	AS
36	07/16/2024	REVISED TO ADD 1-1/2" NPT AIR INLET CONNECTION	AS	AS
37	07/16/2024	REVISED TO ADD 1-1/2" NPT AIR INLET CONNECTION	AS	AS
38	07/16/2024	REVISED TO ADD 1-1/2" NPT AIR INLET CONNECTION	AS	AS
39	07/16/2024	REVISED TO ADD 1-1/2" NPT AIR INLET CONNECTION	AS	AS
40	07/16/2024	REVISED TO ADD 1-1/2" NPT AIR INLET CONNECTION	AS	AS
41	07/16/2024	REVISED TO ADD 1-1/2" NPT AIR INLET CONNECTION	AS	AS
42	07/16/2024	REVISED TO ADD 1-1/2" NPT AIR INLET CONNECTION	AS	AS
43	07/16/2024	REVISED TO ADD 1-1/2" NPT AIR INLET CONNECTION	AS	AS
44	07/16/2024	REVISED TO ADD 1-1/2" NPT AIR INLET CONNECTION	AS	AS
45	07/16/2024	REVISED TO ADD 1-1/2" NPT AIR INLET CONNECTION	AS	AS
46	07/16/2024	REVISED TO ADD 1-1/2" NPT AIR INLET CONNECTION	AS	AS
47	07/16/2024	REVISED TO ADD 1-1/2" NPT AIR INLET CONNECTION	AS	AS
48	07/16/2024	REVISED TO ADD 1-1/2" NPT AIR INLET CONNECTION	AS	AS
49	07/16/2024	REVISED TO ADD 1-1/2" NPT AIR INLET CONNECTION	AS	AS
50	07/16/2024	REVISED TO ADD 1-1/2" NPT AIR INLET CONNECTION	AS	AS
51	07/16/2024	REVISED TO ADD 1-1/2" NPT AIR INLET CONNECTION	AS	AS
52	07/16/2024	REVISED TO ADD 1-1/2" NPT AIR INLET CONNECTION	AS	AS
53	07/16/2024	REVISED TO ADD 1-1/2" NPT AIR INLET CONNECTION	AS	AS
54	07/16/2024	REVISED TO ADD 1-1/2" NPT AIR INLET CONNECTION	AS	AS
55	07/16/2024	REVISED TO ADD 1-1/2" NPT AIR INLET CONNECTION	AS	AS
56	07/16/2024	REVISED TO ADD 1-1/2" NPT AIR INLET CONNECTION	AS	AS
57	07/16/2024	REVISED TO ADD 1-1/2" NPT AIR INLET CONNECTION	AS	AS
58	07/16/2024	REVISED TO ADD 1-1/2" NPT AIR INLET CONNECTION	AS	AS
59	07/16/2024	REVISED TO ADD 1-1/2" NPT AIR INLET CONNECTION	AS	AS
60	07/16/2024	REVISED TO ADD 1-1/2" NPT AIR INLET CONNECTION	AS	AS
61	07/16/2024	REVISED TO ADD 1-1/2" NPT AIR INLET CONNECTION	AS	AS
62	07/16/2024	REVISED TO ADD 1-1/2" NPT AIR INLET CONNECTION	AS	AS
63	07/16/2024	REVISED TO ADD 1-1/2" NPT AIR INLET CONNECTION	AS	AS
64	07/16/2024	REVISED TO ADD 1-1/2" NPT AIR INLET CONNECTION	AS	AS
65	07/16/2024	REVISED TO ADD 1-1/2" NPT AIR INLET CONNECTION	AS	AS
66	07/16/2024	REVISED TO ADD 1-1/2" NPT AIR INLET CONNECTION	AS	AS
67	07/16/2024	REVISED TO ADD 1-1/2" NPT AIR INLET CONNECTION	AS	AS
68	07/16/2024	REVISED TO ADD 1-1/2" NPT AIR INLET CONNECTION	AS	AS
69	07/16/2024	REVISED TO ADD 1-1/2" NPT AIR INLET CONNECTION	AS	AS
70	07/16/2024	REVISED TO ADD 1-1/2" NPT AIR INLET CONNECTION	AS	AS
71	07/16/2024	REVISED TO ADD 1-1/2" NPT AIR INLET CONNECTION	AS	AS
72	07/16/2024	REVISED TO ADD 1-1/2" NPT AIR INLET CONNECTION	AS	AS
73	07/16/2024	REVISED TO ADD 1-1/2" NPT AIR INLET CONNECTION	AS	AS
74	07/16/2024	REVISED TO ADD 1-1/2" NPT AIR INLET CONNECTION	AS	AS
75	07/16/2024	REVISED TO ADD 1-1/2" NPT AIR INLET CONNECTION	AS	AS
76	07/16/2024	REVISED TO ADD 1-1/2" NPT AIR INLET CONNECTION	AS	AS
77	07/16/2024	REVISED TO ADD 1-1/2" NPT AIR INLET CONNECTION	AS	AS
78	07/16/2024	REVISED TO ADD 1-1/2" NPT AIR INLET CONNECTION	AS	AS
79	07/16/2024	REVISED TO ADD 1-1/2" NPT AIR INLET CONNECTION	AS	AS
80	07/16/2024	REVISED TO ADD 1-1/2" NPT AIR INLET CONNECTION	AS	AS
81	07/16/2024	REVISED TO ADD 1-1/2" NPT AIR INLET CONNECTION	AS	AS
82	07/16/2024	REVISED TO ADD 1-1/2" NPT AIR INLET CONNECTION	AS	AS
83	07/16/2024	REVISED TO ADD 1-1/2" NPT AIR INLET CONNECTION	AS	AS
84	07/16/2024	REVISED TO ADD 1-1/2" NPT AIR INLET CONNECTION	AS	AS
85	07/16/2024	REVISED TO ADD 1-1/2" NPT AIR INLET CONNECTION	AS	AS
86	07/16/2024	REVISED TO ADD 1-1/2" NPT AIR INLET CONNECTION	AS	AS
87	07/16/2024	REVISED TO ADD 1-1/2" NPT AIR INLET CONNECTION	AS	AS
88	07/16/2024	REVISED TO ADD 1-1/2" NPT AIR INLET CONNECTION	AS	AS
89	07/16/2024	REVISED TO ADD 1-1/2" NPT AIR INLET CONNECTION	AS	AS
90	07/16/2024	REVISED TO ADD 1-1/2" NPT AIR INLET CONNECTION	AS	AS
91	07/16/2024	REVISED TO ADD 1-1/2" NPT AIR INLET CONNECTION	AS	AS
92	07/16/2024	REVISED TO ADD 1-1/2" NPT AIR INLET CONNECTION	AS	AS
93	07/16/2024	REVISED TO ADD 1-1/2" NPT AIR INLET CONNECTION	AS	AS
94	07/16/2024	REVISED TO ADD 1-1/2" NPT AIR INLET CONNECTION	AS	AS
95	07/16/2024	REVISED TO ADD 1-1/2" NPT AIR INLET CONNECTION	AS	AS
96	07/16/2024	REVISED TO ADD 1-1/2" NPT AIR INLET CONNECTION	AS	AS
97	07/16/2024	REVISED TO ADD 1-1/2" NPT AIR INLET CONNECTION	AS	AS
98	07/16/2024	REVISED TO ADD 1-1/2" NPT AIR INLET CONNECTION	AS	AS
99	07/16/2024	REVISED TO ADD 1-1/2" NPT AIR INLET CONNECTION	AS	AS
100	07/16/2024	REVISED TO ADD 1-1/2" NPT AIR INLET CONNECTION	AS	AS